

Mansfield Model 8013

Our largest soapstone stove with TruHybrid™ technology.



Features

TruHybrid™ Technology

The Mansfield burns cleanly and efficiently using primary, secondary, and tertiary combustion. Enjoy clean heat with our TruHybrid technology.

Deep Firebox

The spacious firebox is great for loading wood north-south. Arranging the logs front-to-back inside the stove encourages airflow for a clean and pretty fire.

Soapstone HeatLife

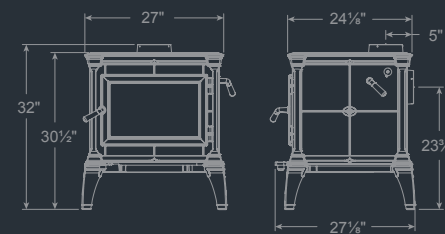
Over 230lbs of soapstone are used to construct the Mansfield to offer you plenty of long-lasting comfortable heat.

Constantly Innovating

Our iconic whole-house heater, the Mansfield, is currently being updated with a new look as shown above, and our TruHybrid™ technology. We will be excited to release this stove when it's ready for your home.

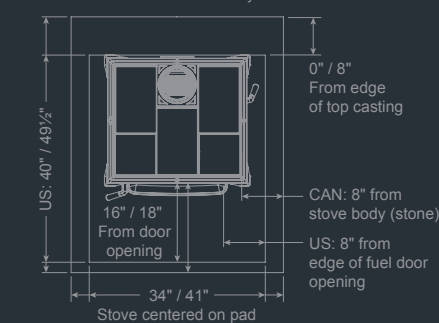


Dimensions

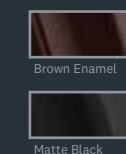


Hearth Protection

Minimum Hearth Protection US/Canada:
Ember Protection Only



Finish Options



Specifications

- HeatLife™ Burn Time* Up to 30 hours
- Heats up to..... 2,500 sq ft
- Firebox Capacity 3 cu ft
- BTU..... Up to 80,000
- Maximum Log Length 21" Left-Right,
Maximum Log Length 18" Front-Back
- Flue Exit & Diameter Top or Rear - 6"
- Ash Pan Optional
- Actual Weight 550 lbs.

Accessories

- Ash Pan90-54240
- Rear Heat Shield90-68210
- Convection Blower.....90-57210
- Outside Air Adapter.....90-53220

* Under the right conditions, you will be able to start a new fire with kindling up to the end of the product's HeatLife™.