


Heritage Model 8024

Our cleanest burning stove, EPA certified at only 0.54 g/hr.

 **Efficiency**
77%
HHV

 **HeatLife™**
25
Hours

 **EPA Certified**
0.54
g/hr



Features

TruHybrid™ Clean

At only 0.54 g/hr of particulate emissions, the Heritage is our cleanest burning stove thanks to the TruHybrid system.

Convenient Features

Load your fireplace through the side door and use the optional ash pan to help keep your hearth clean and tidy.

Soapstone + Cast Iron

Full cast iron construction with 1¼" soapstone lining offers comfortable, long-lasting heat and a lifetime of trouble free service.

Soapstone Wood Stoves

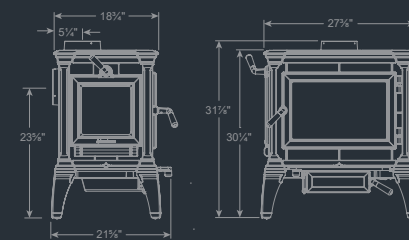
Castleton

Heritage

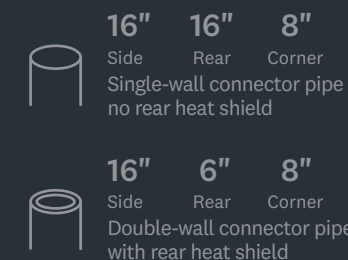
Mansfield



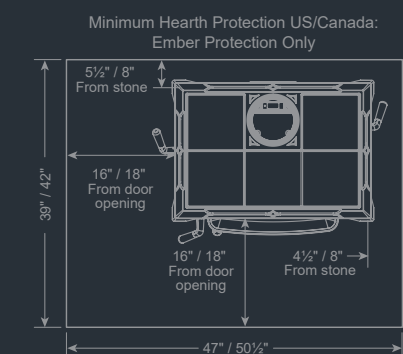
Dimensions



Clearances



Hearth Protection



Finish Options



Specifications

HHV Efficiency	77%
HeatLife™ Burn Time*	25 hours
EPA Certified	0.54 g/hr
Heats up to.....	2,100 sq ft
Firebox Capacity	2.2 cu ft
BTU.....	Up to 60,000
Maximum Log Length	21"
Flue Exit & Diameter	Top or Rear - 6"
Side Load Door.....	Left or Right
Ash Pan	Optional
Weight	560 lbs

Accessories

Ash Pan	90-54240
Rear Heat Shield	90-68210
Convection Blower.....	90-57210
Outside Air Adapter.....	90-53220

Note: All information is for reference only. Refer to the owner's manual for full specification and installation details.

* Under the right conditions, you will be able to start a new fire with kindling up to the end of the product's HeatLife™.